

www.spiralengineering.com

Quality and Service



SPIRAL ENGINEERING is always focused on total quality, whether we are acting as consultants for making new designs or changes to conveyor systems, offering advice on conveying processes, supplying the right replacement parts, or providing customer service. We have the most up-to-date expertise in the industry and we are at your service.



Our Services

- Consulting
- System design
- Manufacturing
- Feasibility studies
- Quality & performance
- Project management
- Optimization
- Troubleshooting
- Preventive maintenance
- Specialized training
- And more

Our Reputation

- Innovative designs
- Competitive prices
- High manufacturing standards
- On-time delivery
- Reliable operation
- Personalized service

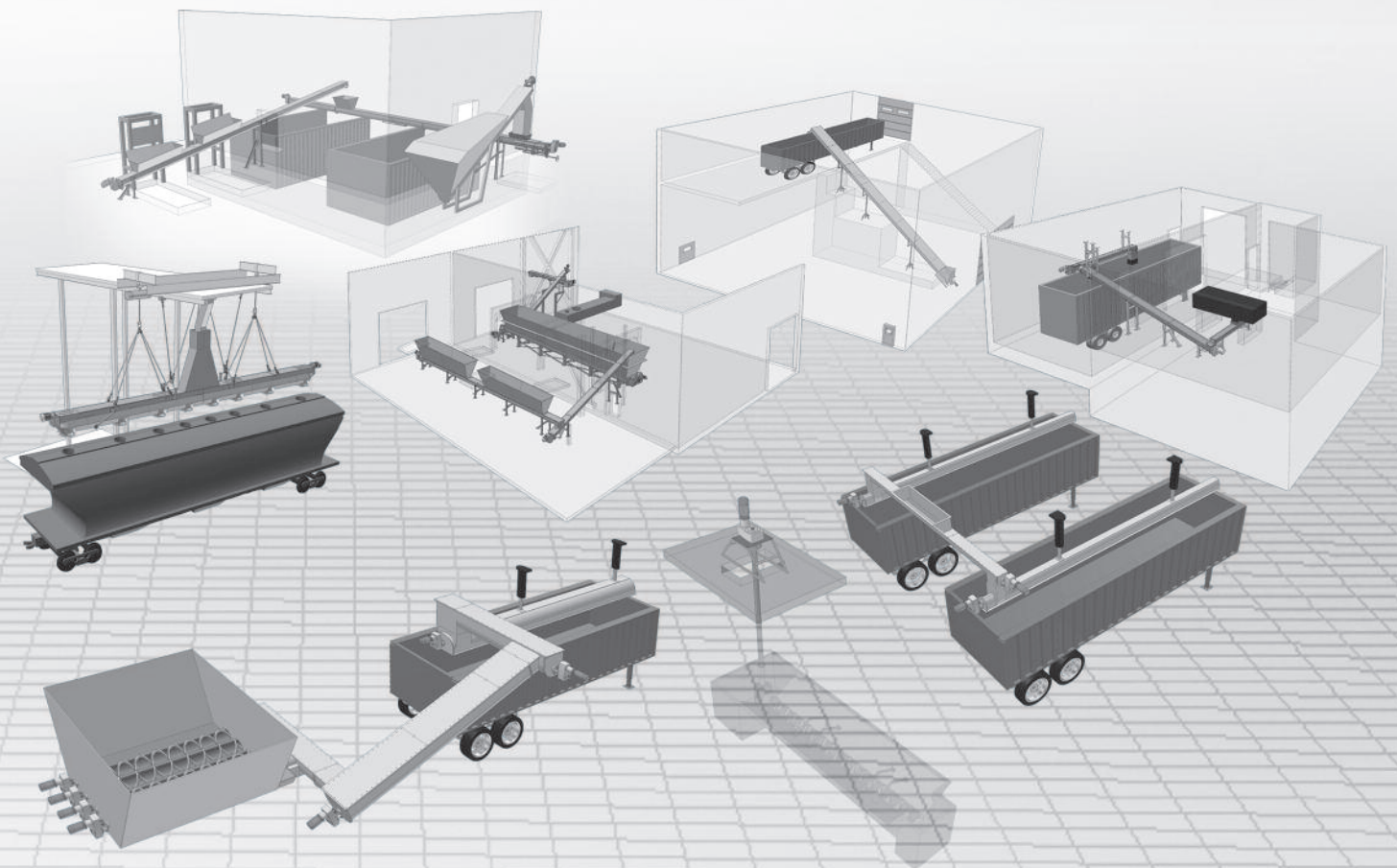
Our Industries

- Solid waste
- Pulp & paper
- Fruit and vegetable
- Waste water solids
- Chemical
- Cement
- Mining
- Recycling
- And more

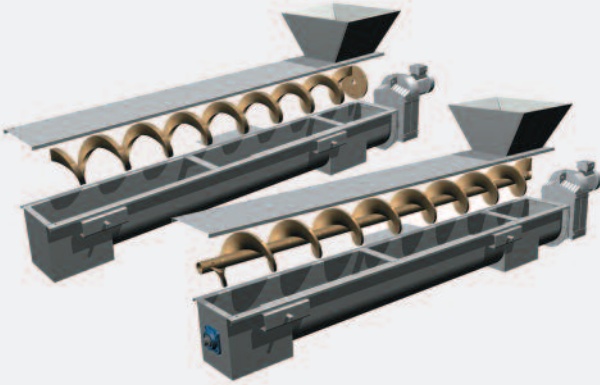
The most accurate cost effective solutions.

The team at **SPIRAL ENGINEERING** is committed to helping you meet the challenges of everyday operations. In addition to manufacturing, **SPIRAL ENGINEERING** provides consulting services at the analysis and design level.

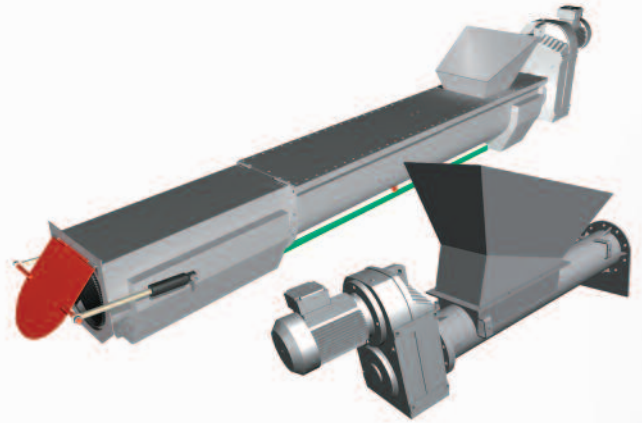
Our technical team is there to create the most accurate and cost effective solutions. Let **SPIRAL ENGINEERING** bring the market's leading knowledge and expertise to your facility.



Spiral Conveyor



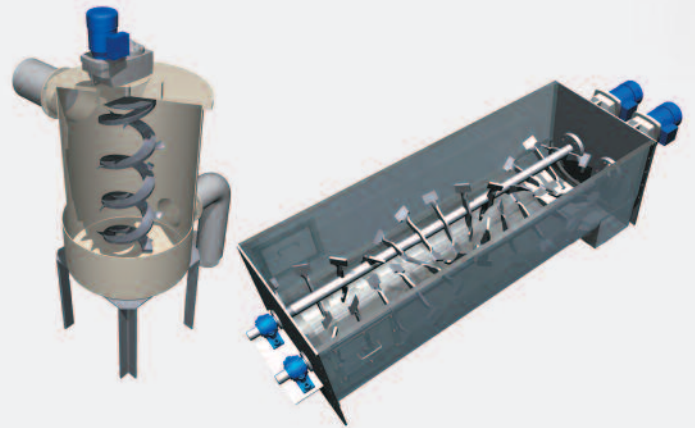
Spiral Press and Compactor



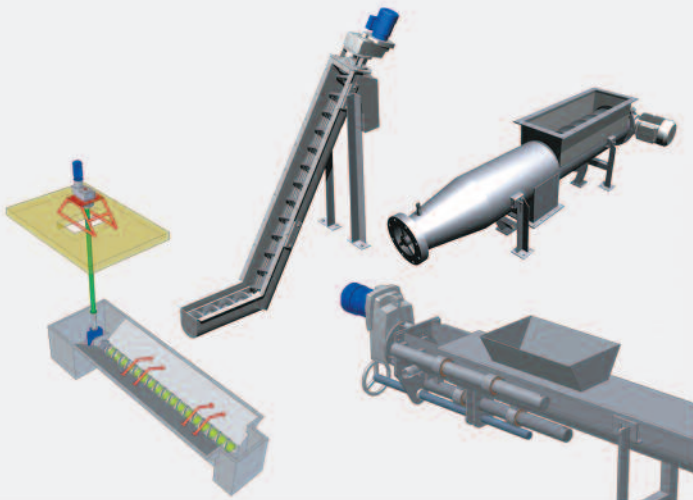
Spiral Grit Washer and Sand Remover



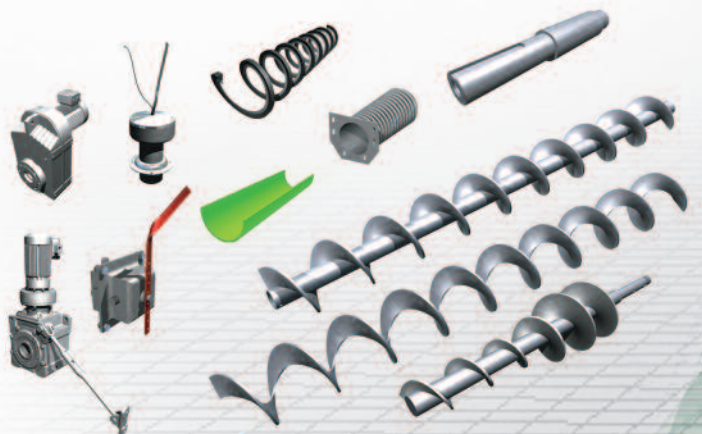
Spiral Mixer and Agitator



Custom Application



Replacement Parts



514-693-0060
1-877-693-0060
Fax: 514-693-9251
info@spiralengineering.com

3551 St-Charles Boulevard, suite 516
Kirkland, Qc, H9H 3C4
www.spiralengineering.com